

REVISIONS			
SYM	DESCRIPTION	DATE	APPROVED
D	UPDATED PER ECO 9280	06/22/10	
CHANGE RADOME'S RADIUS FROM R.38 TO R.44			

NOTES: UNLESS OTHERWISE SPECIFIED.

- 1 MOUNTING SCREWS AND O-RING SUPPLIED BY AEROANTENNA.
2. LABEL SIZE, SHAPE, CONTENTS AND LOCATION ARE SUBJECT TO CHANGE WITHOUT NOTICE.
3. TOLERANCE: .XX = ±.03
.XXX = ±.010

SPECIFICATION:

FREQUENCY: 1575.42 ±10.23 MHz
 POLARIZATION: RIGHT HAND CIRCULAR
 AXIAL RATIO: 3 dB MAX AT BORE SIGHT
 RELATIVE RADIATION COVERAGE: PER DO-301

AMPLIFIER:
 GAIN: SPECIFY
 NOISE FIGURE: 2.5 dB MAX. @ 25°C
 IMPEDANCE: 50 OHMS
 VSWR: ≤1.5:1
 POWER HANDLING: 1 WATT

FINISH: WEATHERABLE POLYMER
 CONNECTOR: TNCF
 WEIGHT: 8.0 OZ MAX.
 ALTITUDE: 55,000'
 OPERATING TEMP: -55°C TO +70°C
 STORAGE TEMP: -55°C TO +85°C
 DESIGNED TO: DO-160E,
 ENV CAT: F2-AB[BD][S(CLMY)U(FF1)]X[SY]FSXSZXXX[ZCZW]YH[A4J44][2A]CAC
 ARINC 743, RTCA/DO-301
 TSO: C190

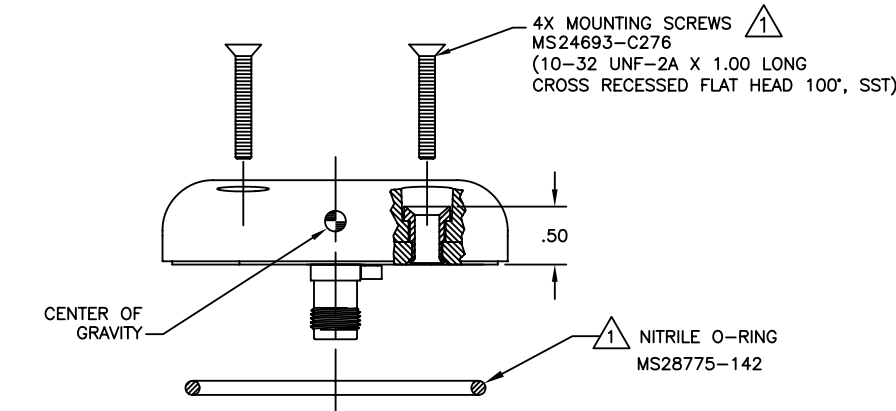
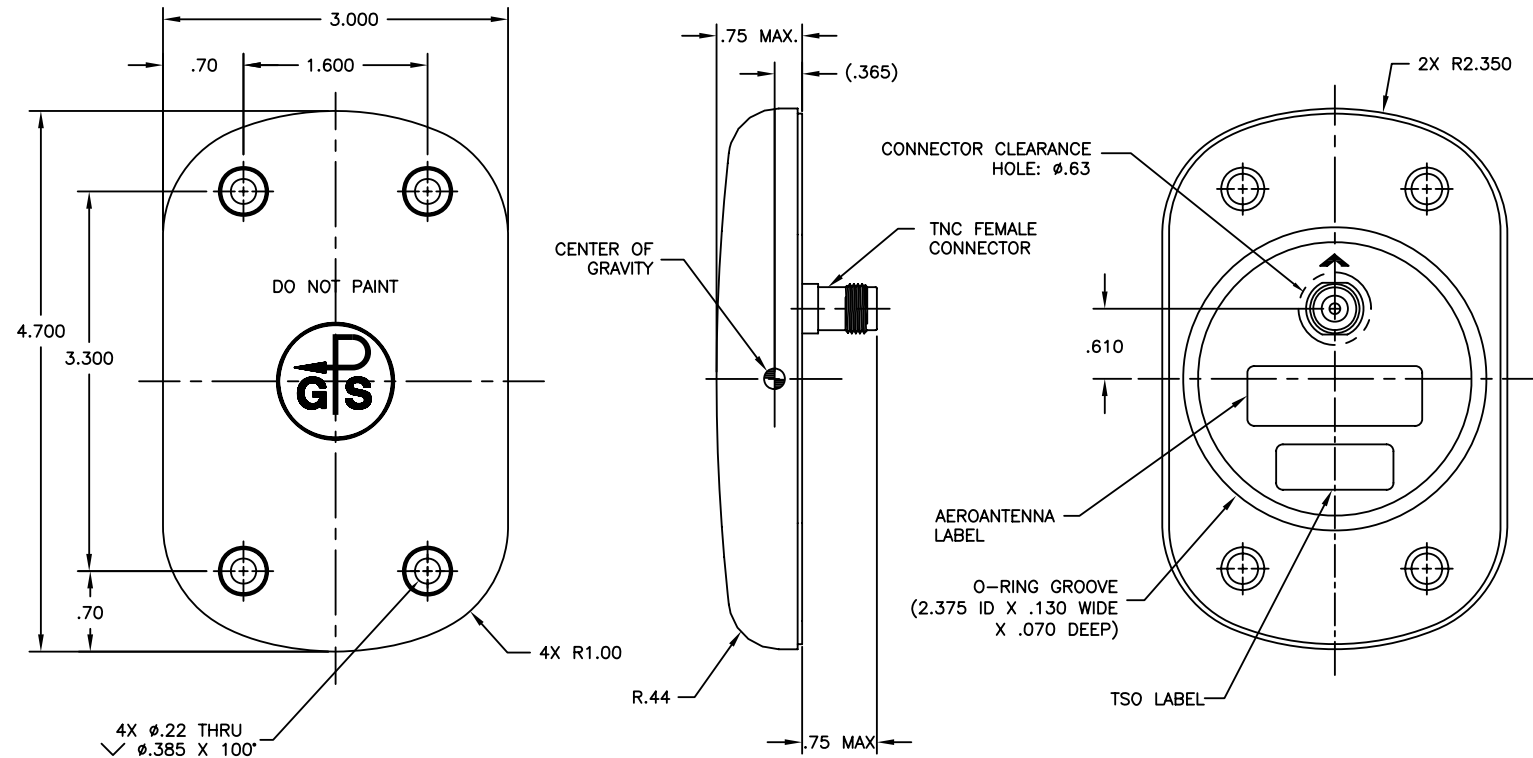
PART NO. DESIGNATION:

AT575-326XXX-XXXX-XXX-XX-XX-XX

CUSTOMER ID (IF APPLICABLE)
 COLOR: W = WHITE, B = BLACK, S = SMOKE GRAY
 CONNECTOR: TNCF = TNC FEMALE
 CABLE LENGTH * 000 = IN INCHES
 MAGNET: NM = NO MAGNET
 GAIN (±3 dB): 30 = 30 dB (60 mA Max.), MIN. GAIN 29.5 dB
 VOLTAGE: RG = 4.5-15 VDC


* = OPTION NOT AVAILABLE WITH THIS MODEL

STANDARD MODEL= AT575-326W-TNCF-000-RG-30-NM



DO NOT SCALE THIS DRAWING	DRAWN	J. GUTIERREZ	08/23/07
REMOVE BURRS AND BREAK SHARP EDGES:	CHECKED	B. DANZER	08/23/07
PART TO BE CLEAN AND OIL FREE	ENGR	T. JEENSALUTE	08/27/07
ALL DIMENSIONS ARE IN INCHES DIMENSIONING & TOLERANCING PER ASME Y14.5M-1994	MFG	D. LEVY	08/27/07
TOLERANCES:	Q.A.	B. RUBENI	08/27/07
-.XX - ±.01 FRACT = ±1/32	APPROVED	G. SHAR	08/27/07
-.XXX - ±.005 ANG. = ±1/2'			
✓ SURFACE ROUGHNESS MACHINED PARTS V63 MOLDED PARTS V32	DRAWN IN	CAD	
HOLE DIA. TOLERANCE			
.0135 - .125 +.004 / -.001			
.126 - .250 +.005 / -.001			
.251 - .500 +.006 / -.001			
.501 - .750 +.008 / -.001			

ppm GmbH
 Grube 39a
 82377 Penzberg
 Germany
 Tel: +49 (0) 88 56 8 03 09 80
 Fax: +49 (0) 88 56 8 03 09 88
 info@ppmgmbh.com
 www.ppmgmbh.com



SIZE	CAGE CODE	DRAWING NO.	REV
B	OUVG2	AT575-32	D

SCALE NONE I:\CAD\AT575\ -326\AT575-326_D SHEET 1 OF 1