

8

7

6

5

4

3

2

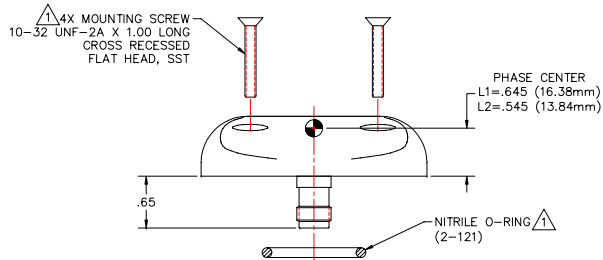
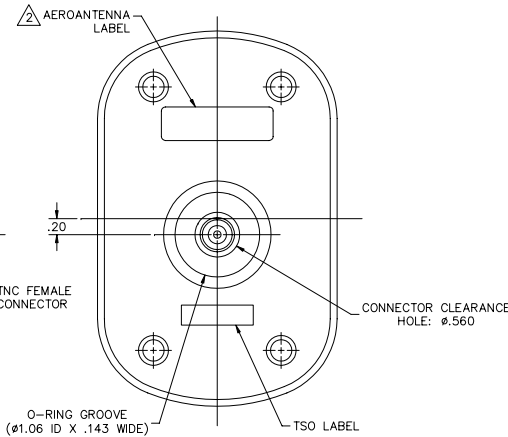
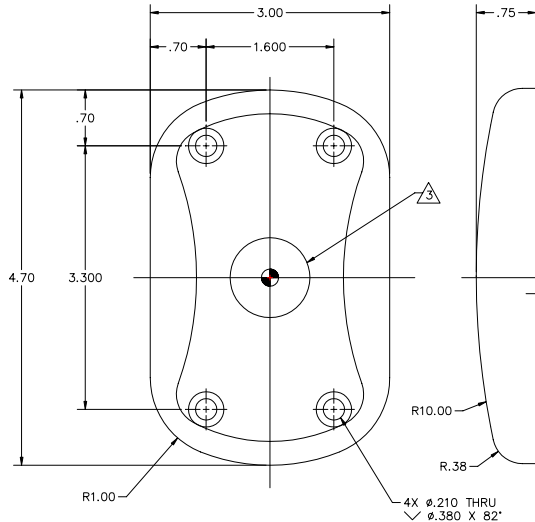
1

PROPRIETARY NOTICE: This document contains proprietary information of AAT Inc. neither the document nor said proprietary information shall be published, reproduced, copied, disclosed or used for any purpose other than consideration of this document without the express written permission of a duly authorized representative of said Company.

NOTES: UNLESS OTHERWISE SPECIFIED.

- 1 O-RING AND MOUNTING SCREWS SUPPLIED BY AEROANTENNA.
- 2 LABEL SIZE, SHAPE AND CONTENTS SUBJECT TO CHANGE WITHOUT NOTICE.
- 3 LOGO OPTIONAL.
- 4 SEE SHIPPING PROCESS AND PARTS LIST FOR ASSEMBLY INSTRUCTION.
- 5. TOLERANCES: .XX = ±.03  
.XXX = ±.010

# L1/L2 GPS aircraft antenna



REVISIONS			
SYM	DESCRIPTION	DATE	APPROVED
D	SEE ECO 4691	2/22/01	

## SPECIFICATION:

FREQUENCY: 1227 ±10 MHz  
1575 ±10 MHz

POLARIZATION: RIGHT HAND CIRCULAR

AXIAL RATIO: 3 dB MAX AT BORE SIGHT

RADIATION COVERAGE: ELEVATION ANGLE MINIMUM GAIN  
 >15° -2.0 dBic  
 10° -3.0 dBic  
 5° -4.5 dBic  
 0° -7.5 dBic

AMPLIFIER:  
 NOISE FIGURE: 2.5 dB MAX  
 IMPEDANCE: 50 OHMS  
 VSWR: ≤2.0:1  
 BAND REJECTION: 35 dB

FINISH: POLYURETHANE ENAMEL, FLUID RESISTANT

WEIGHT: 8 OZ MAX

ALTITUDE: 55,000'

OPERATING TEMP: -55°C TO +85°C

DESIGNED TO: D0-1600,  
 ENV CAT: E1-ABB[CLMY]XSFDFSZAAAZPH[A3][2A]CX  
 C-144

TSO:

## PART NO. DESIGNATION:

AT2775-41X-XXXX-XXX-XX-XX-XX

COLOR  
 W = WHITE  
 S = SMOKE GRAY  
 O = OLIVE DRAB  
 B = BLACK

MAGNET  
 NM = NO MAGNET  
 \* IM = INTERNAL  
 \* RM = REMOVABLE  
 \* HD = HEAVY DUTY

GAIN (± 2 dB)  
 00 = PASSIVE  
 12 = 12 dB (28 mA)  
 26 = 26 dB (65 mA)  
 36 = 36 dB (100 mA)  
 XX = OTHER

VOLTAGE  
 00 = PASSIVE  
 05 = +5 VDC  
 RG = +5 TO +18 VDC  
 XX = OTHER

CONNECTOR  
 \* TNCM = TNC MALE  
 \* TNCF = TNC FEMALE  
 \* BNCM = BNC MALE  
 \* BNCF = BNC FEMALE  
 \* MCXM = MCX MALE  
 \* MCXF = MCX FEMALE  
 \* SMA M = SMA MALE  
 \* SMA F = SMA FEMALE  
 \* NTPM = N TYPE MALE  
 \* NTPF = N TYPE FEMALE  
 \* 0000 = NO TERMINATION

CABLE LENGTH  
 \* 000 = IN INCHES



Grube 39a  
 82377 Penzberg  
 Germany  
 Tel.: +49 (856) 80 30 980  
 Fax: +49 (856) 80 30 988  
 Email: info@ppmgmbh.com  
 Web: www.ppmgmbh.com

\* = OPTION NOT AVAILABLE WITH THIS MODEL  
 STANDARD MODEL = AT2775-41W-TNCF-000-RG-26-NM

DO NOT SCALE THIS DRAWING		DRAWN		A. DEVERA		01/06/99	
ALL DIMENSIONS ARE IN INCHES		CHECKED		T. JEENSALUTE		06/01/99	
DIMENSIONING & TOLERANCING PER ANSI Y14.5M-1982		ENGR		S. VALDES		05/25/99	
TOLERANCES: .XXX = ±.03 .XXX = ±.010 FRACT = ±1/32 ANG. = ±1/2°		Q.A.		B. RUBENI		06/01/99	
✓ SURFACE ROUGHNESS PER ANSI B46.1		APPROVED		G. SHACHAR		05/25/99	
REMOVE BURRS AND BREAK SHARP EDGES: PART TO BE CLEAN AND OIL FREE.		USED ON		UNLESS OTHERWISE SPECIFIED		DRAWN IN ACAD	
TITLE		SIZE		CAGE CODE		DRAWING NO.	
L1/L2 GPS ANTENNA		B		OUVG2		AT2775-41	
SCALE NONE		AT2775-41D		SHEET 1 OF 1		REV D	